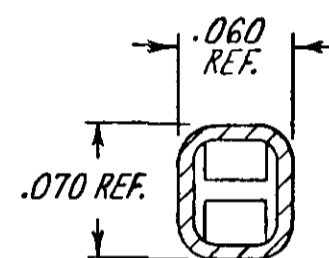
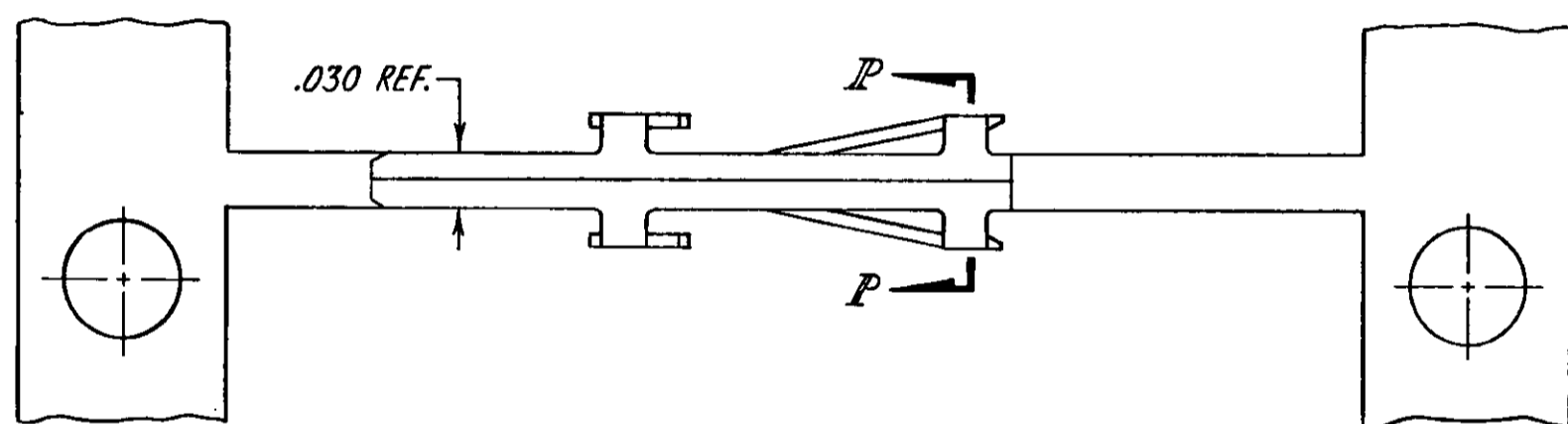
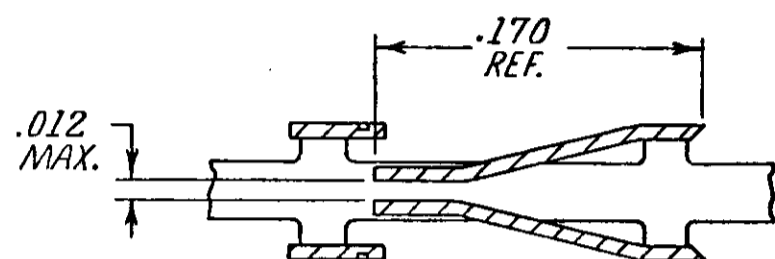
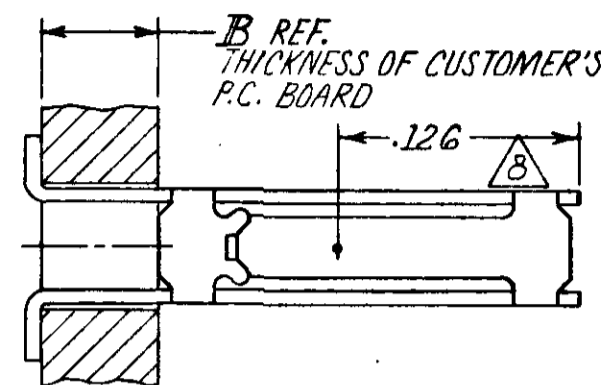
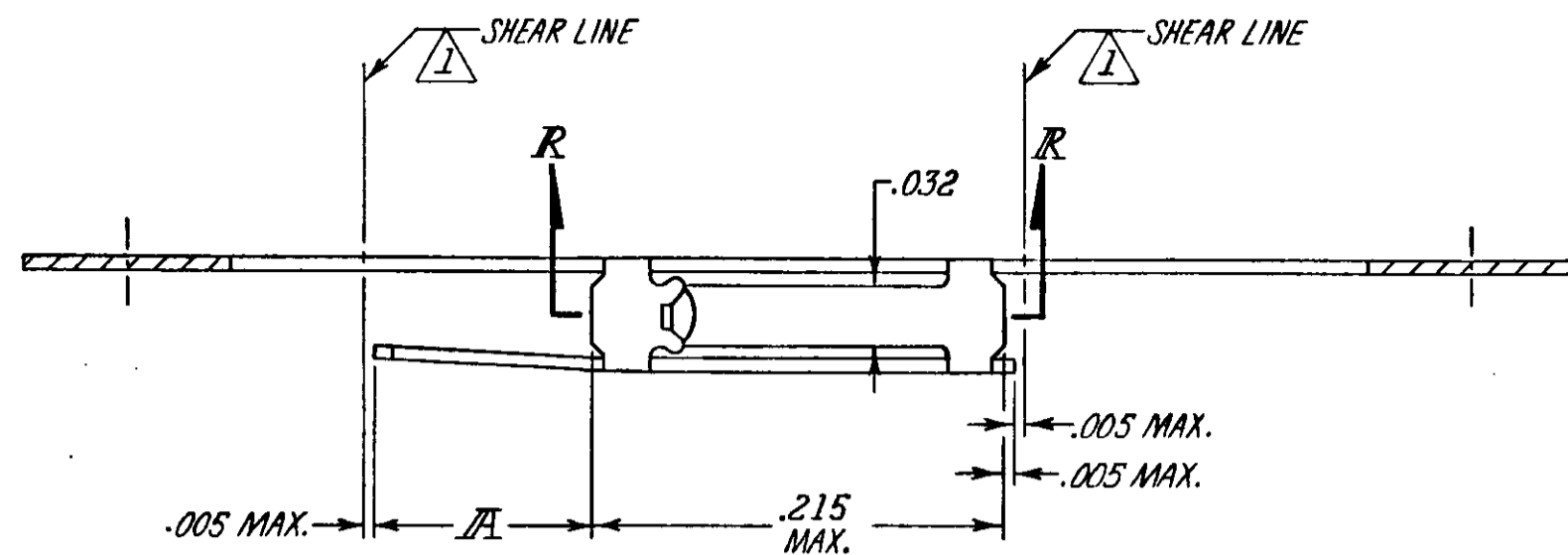


THIS DRAWING IS UNPUBLISHED. RELEASED FOR PUBLICATION 19  
© COPYRIGHT 1983 BY AMP INCORPORATED, HARRISBURG, PA. ALL INTERNATIONAL RIGHTS RESERVED. AMP PRODUCTS MAY BE COVERED BY U.S. AND FOREIGN PATENTS AND/OR PATENTS PENDING.

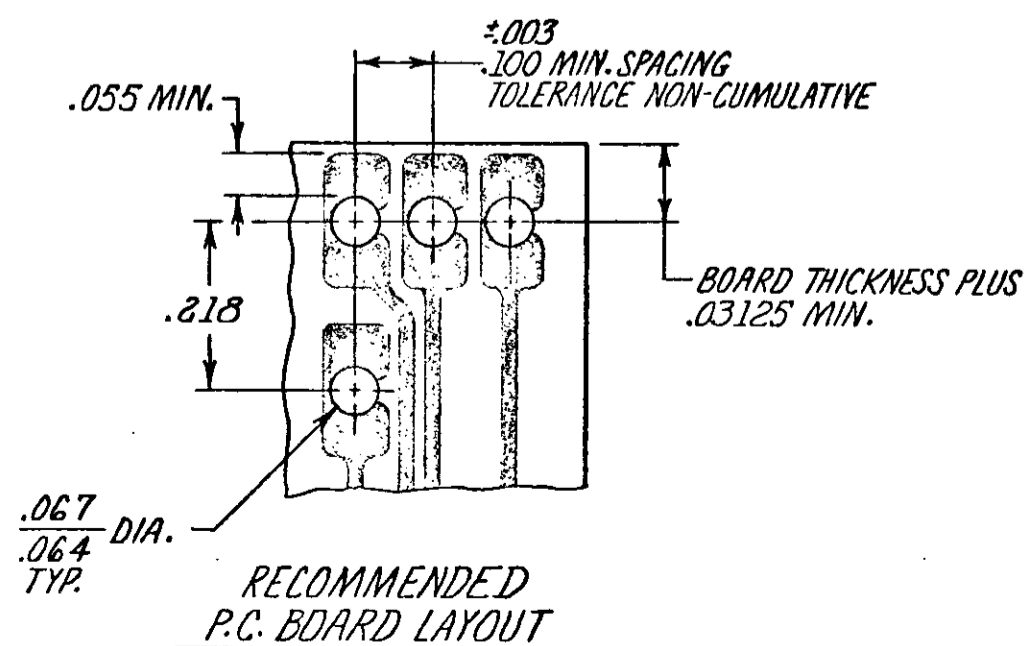
		REVISIONS				
P	F	ZONE	LTR	DESCRIPTION	DATE	APPROVED
✓			K	REVISED & REDRAWN. ECN-AD 0105		
✓			L	ECN AD 2068	JH 12-87	JH
✓			L1	RE-ACTIVATED -7	db 9-88	db
✓			L2	OBS -8, 1--3; AD-2980	db 5-89	db
✓			M	REACTIVATE 1--3-ECN AD-3988	db	db
✓			N	REV PER 0010-1847-93	JK 1-95	JK
✓			P	REV PER 0010-0847-96	EE 12-96	EE
✓			R	REI PER 0010-0721-96	EE 12-96	EE



- 1 SHEAR LINES DEFINE LOOSE PIECE PART.
- 2 TERMINALS REELED FOR USE WITH AMPMODU MINI-APPLICATOR
- 3 TERMINALS REELED FOR USE WITH AMPMODU STANDARD APPLICATOR
- 4 .000030 GOLD OVER .000050 NICKEL
- 5 TIN PLATE
- 6 GOLD FLASH OVER .000050 NICKEL ENTIRE CONTACT, .000030 GOLD IN CONTACT AREA ONLY
- 7 .000050 GOLD OVER .000050-.000100 NICKEL
- 8 POINT OF MEASUREMENT FOR PL.

\* SLASHED P/N'S ARE OBSOLETE

1-85865-1	7	.062	.115	—	—	2-85862-6
—	6	.031	.080	—	—	2-85862-7
1-85865-0	6	.125	.175	1-85862-9	1-85862-9	1-85862-9
—	9	.125	.175	1-85862-8	1-85862-8	1-85862-8
—	8	.125	.175	1-85862-7	1-85862-7	1-85862-7
—	7	.093	.145	1-85862-6	1-85862-6	1-85862-6
—	6	.093	.145	1-85862-5	1-85862-5	1-85862-5
—	5	.093	.145	1-85862-4	1-85862-4	1-85862-4
—	4	.062	.115	1-85862-3	1-85862-3	1-85862-3
OBSOLETE-3	3	.062	.115	1-85862-2	1-85862-2	1-85862-2
85865-2	4	.062	.115	1-85862-1	1-85862-1	85862-2



UNLESS OTHERWISE SPECIFIED DIMENSIONS ARE IN INCHES. TOLERANCES ON: DECIMALS ±.005 ANGLES ±	CONTRACT NO	AMP   AMP INCORPORATED Harrisburg, Pa. 17105	
	DR <i>D. Bissler</i> 12-29-83	NAME CONTACT, RECEPTACLE, MOD II, SHORT POINT-OF-CONTACT, STRIP	
MATERIAL PHOSPHOR BRONZE	CHK <i>James P. Schog</i> 1-3-84	APPD <i>James P. Schog</i> 1-3-84	
FINISH SEE TABLE	APPD <i>D. Bissler</i> 1-4-84	DSGN APPD	OTHER APPD
	SIZE <b>C</b>	FSCM NO <b>00779</b>	DRAWING NO <b>85862</b>
	SCALE	SHEET 1 OF 1	

29858